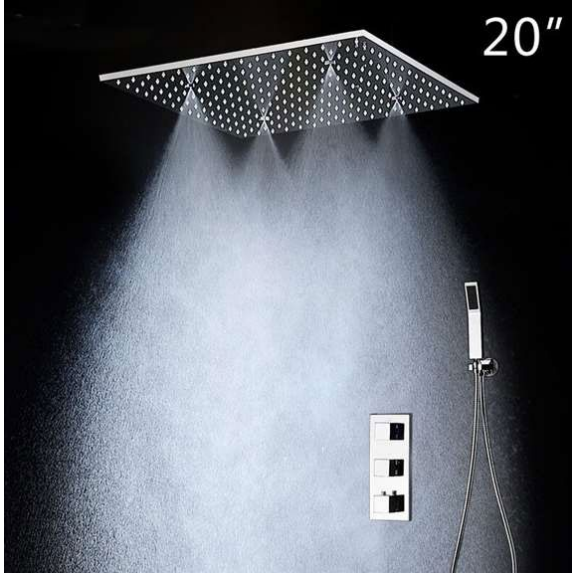


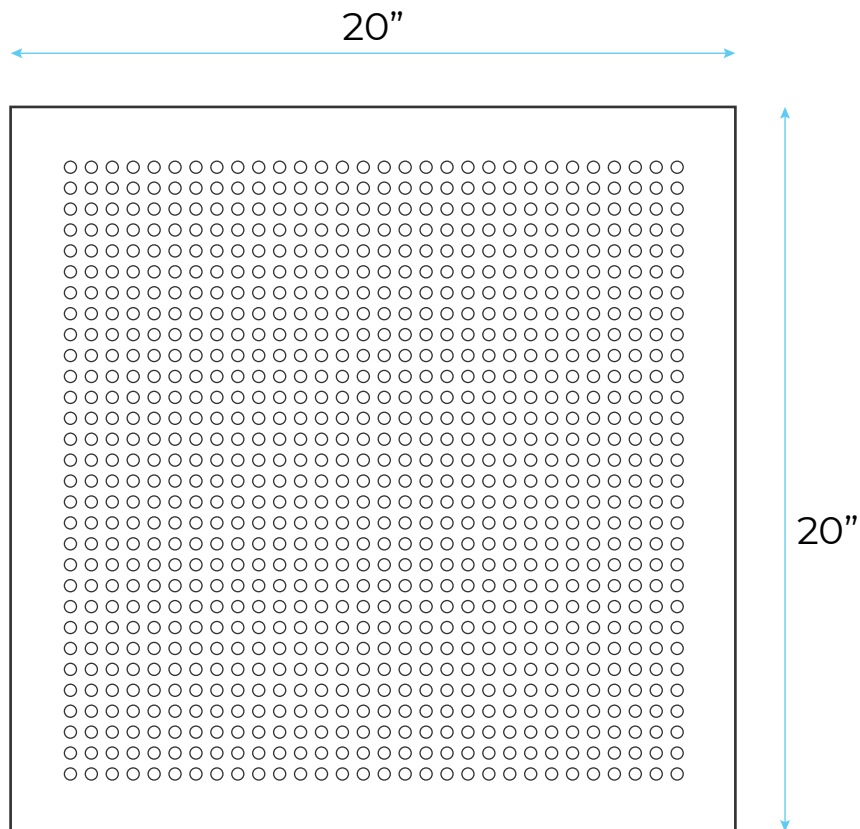
FONTANA ST. GALLEN 20" EMBEDDED CEILING MOUNT SHOWER HEAD THERMOSTATIC BATHROOM SHOWER SYSTEM WITH HAND SHOWER SPECS



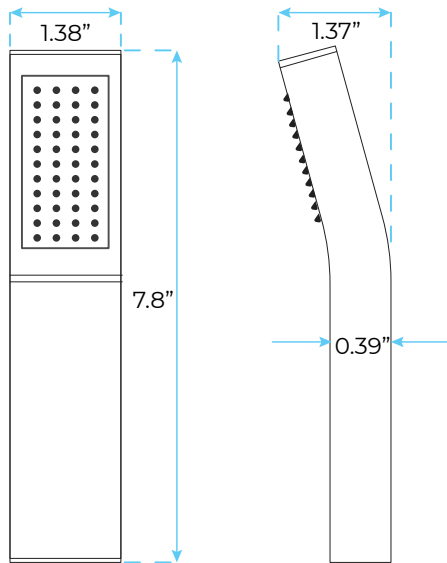
Specifications

- Valve Material: Ceramic Valve
- Water pressure: 0.8mpa
- Flow Rate: 14-18L/MIN
- Cold and Hot Switch: Yes

Shower Head Size:



Hand Shower Size:



The minimum required water pressure is 0.05 MPa (0.5 bar).
Flow rate 2.5 GPM (9.5 LPM).

Mixer Connection:

